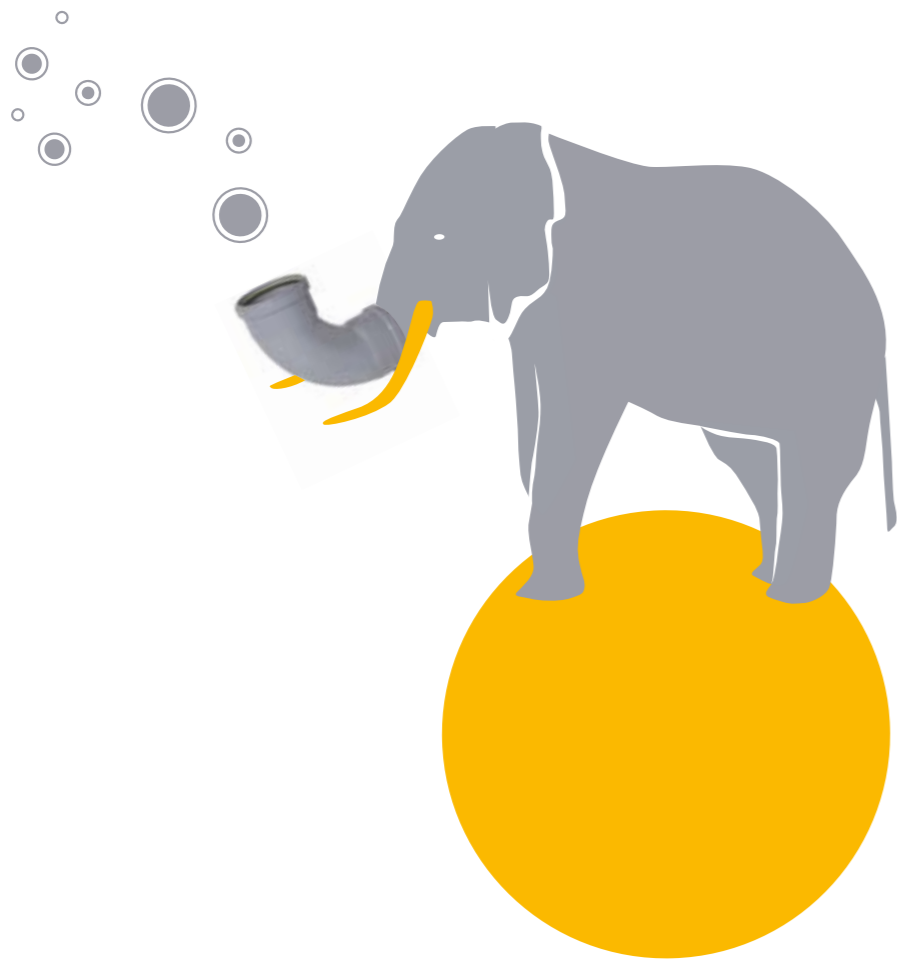


# PVC-KG

## ALL SOCKETED FITTINGS

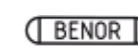


### APPLICATION AREA:

Fittings for underground, non-pressurised waste water pipes [PVC-U]

### APPROVAL:

France, Belgium, UK



### MATERIAL DESIGNATION:

PVC-U, Ca/Zn-stabilised

### STANDARD:

EN 1401-1 Application UD

### NOMINAL RING STIFFNESS:

SDR 41 = SN4; 110mm Fittings SDR 34 = SN8

### DIAMETER:

DN/OD 110 mm – 160 mm, other diameters available on request

### COLOURS:

Orange-brown RAL 8023 and Grey RAL 7037, special colours available on request

### SEALING RING SYSTEM:

HB-Fix seal (RAL 7037) / BL lip seal (RAL 8023)

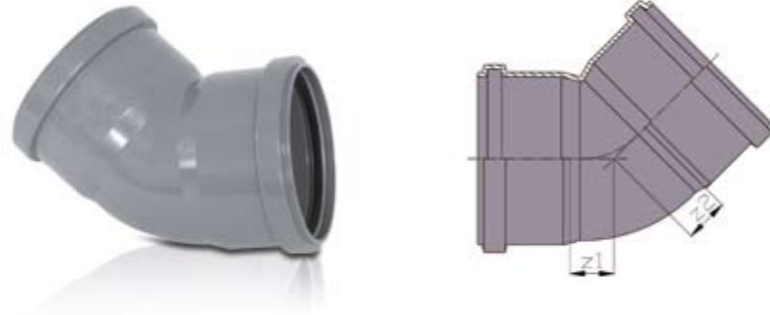
### PACKAGING TYPES:

Palletcarton/ Cartons on one-way pallets

# PVC-KG ALL SOCKETED FITTINGS

## KGB-ELBOW 45° M/M BRL

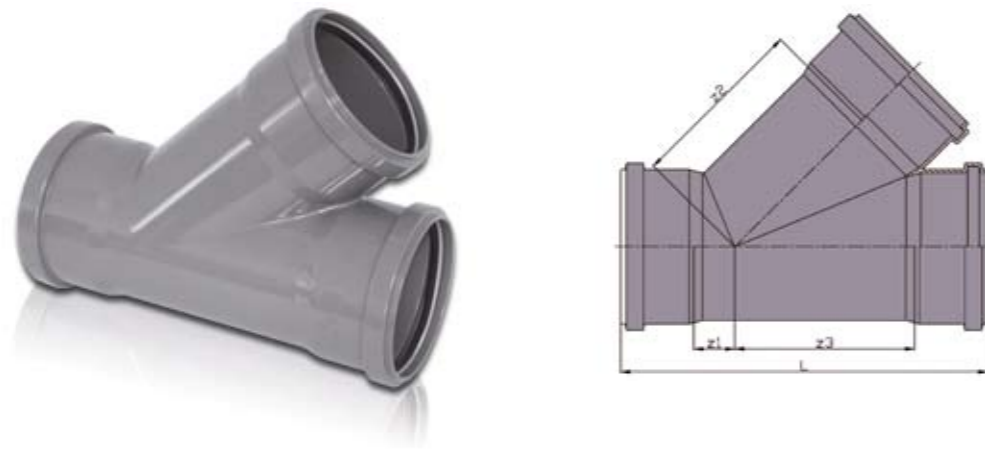
DN/OD	z1	z2
mm	mm	mm
110	30	30
125	33	33
160	42	42



# PVC-KG ALL SOCKETED FITTINGS

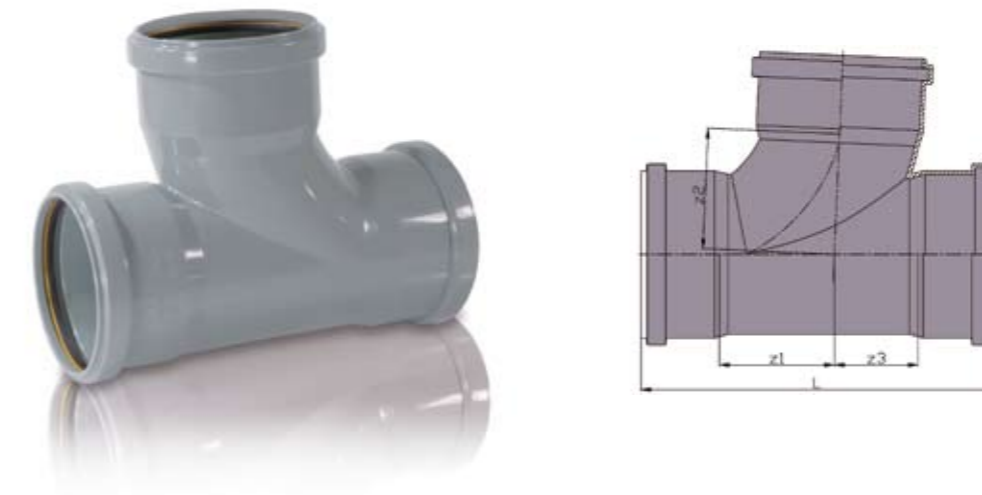
## KGB-ELBOW 87° M/M BRL SWEPT

DN/OD	z1	z2
mm	mm	mm
110	150	105
125	115	115
160	135	135



## KGEA-SINGLE BRANCH 45° M/M BRL

DN/OD	z1	z2	z3	L
mm	mm	mm	mm	mm
110 x 110	32	134	134	298
125 x 125	35	152	152	328
160 x 110	9	168	160	333
160 x 125	20	176	170	355
160 x 160	44	194	194	402



## KGEA-SINGLE BRANCH 87° M/M BRL SWEPT

DN/OD	z1	z2	z3	L
mm	mm	mm	mm	mm
110 x 110	85	91	57	272
125 x 125	94	100	65	300
160 x 110	86	116	60	311
160 x 125	96	119	68	329
160 x 160	116	121	85	363